

Detail A
Top mounting hole dimensions
Scale 1:2

The dimensions shown are for an IP20 Type Drive that has been converted to a NEMA Type 1 Drive by adding the parts from NEMA 1 Kit part number UUX001700

C/C: GA80□	INPUT VOLTAGE 3-PHASE (VAC)	WEIGHT Kg (lb)	COOLING FANS
4371□□□	380 TO 480	148 (325)	2
4414□□□		155 (342)	3
5289□□□	500 TO 600	149 (328)	3

□ denotes A-Z

1	ADDED 600V DRIVES
0	INITIAL RELEASE



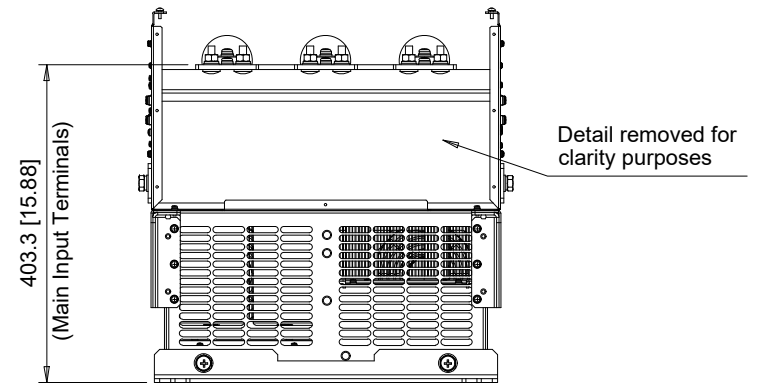
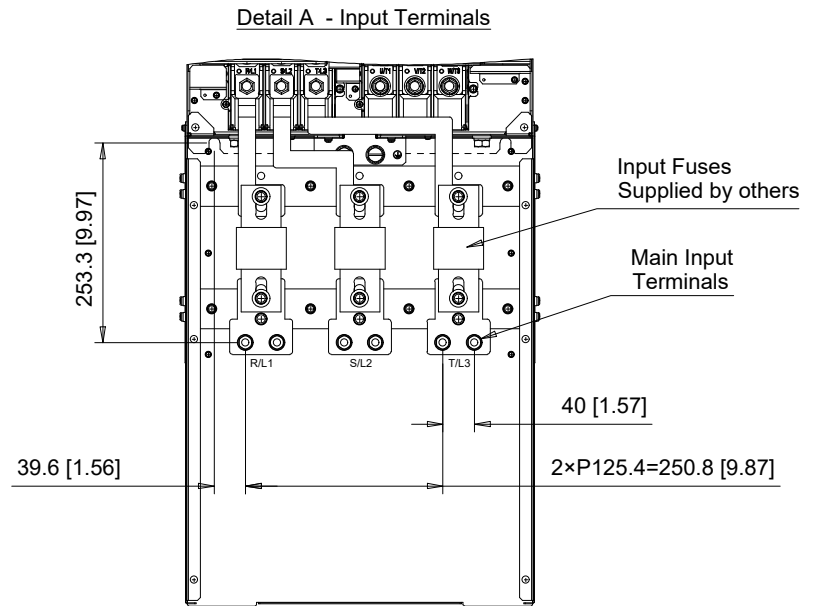
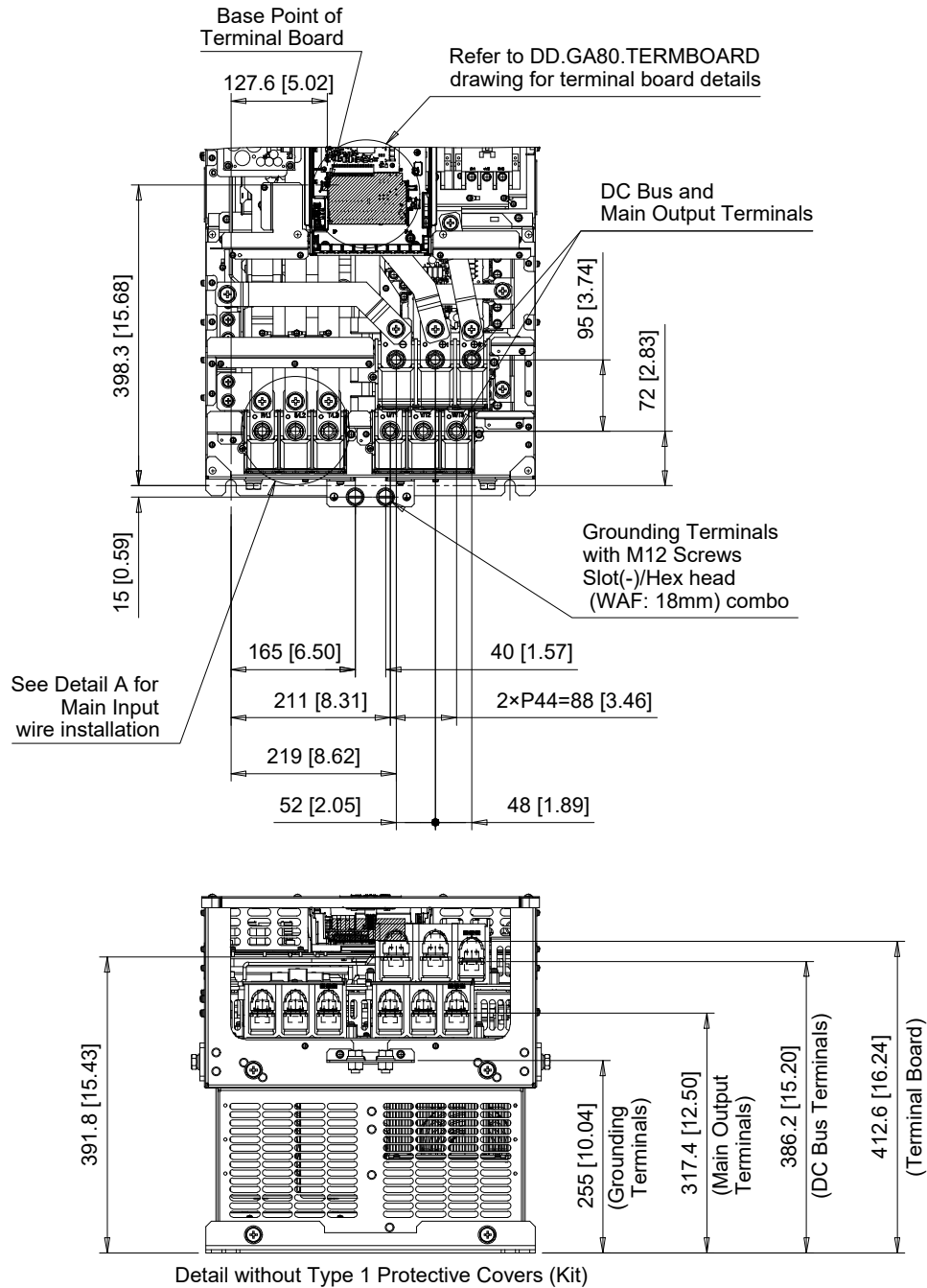
	UNITS	MM [IN]
	SCALE	1:15

DRWN.	J. MATTAS	12-10-18
CHKD.	J. PIOTROWSKI	12-18-18
TECH.	L. UDDIN	1-8-19
APRV.	J. CAIRO	1-9-19

TITLE	GA800 DIMENSION DRAWING FRAME SIZE 10B NEMA TYPE 1 ENCLOSURE
-------	--------------------------------------------------------------------

SIZE	A	PAGE	1 OF 4	REV	1
DWG.NO.	DD.GA80.FR10B.N1				

Terminal and Wiring Information for GA80□4371 and GA80□5289



C/C:	TERMINAL SYMBOL	WIRE RANGE AWG (mm ²)	TERMINAL SCREW	CLAMPING TORQUE N.m. (lb.in.)
GA80□	R/L1, S/L2, T/L3	2/0 - 300 x 2P (70 - 150 x 2P)	M12	35 (310)
4371□□□	U/T1, V/T2, W/T3	2/0 - 300 x 2P (70 - 150 x 2P)	M12	35 (310)
5289□□□	-, +1, +3	4/0 - 400 x 2P (120 - 205 x 2P)	M12	35 (310)
	⊕	1 - 350 (120 - 240)	M12	32 - 40 (283 - 354)

□ Denotes A-Z

Note: Refer to applicable codes and standards for proper wire type and size.

Detail without Type 1 Protective Covers (Kit)

1	ADDED 600V DRIVES
0	INITIAL RELEASE



UNITS	MM [IN]
SCALE	1:10

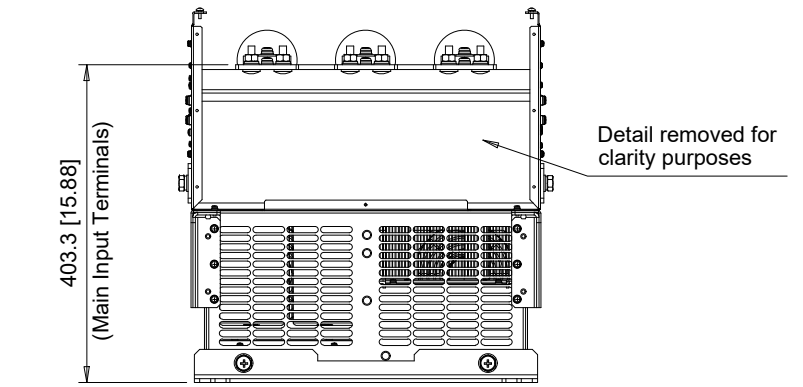
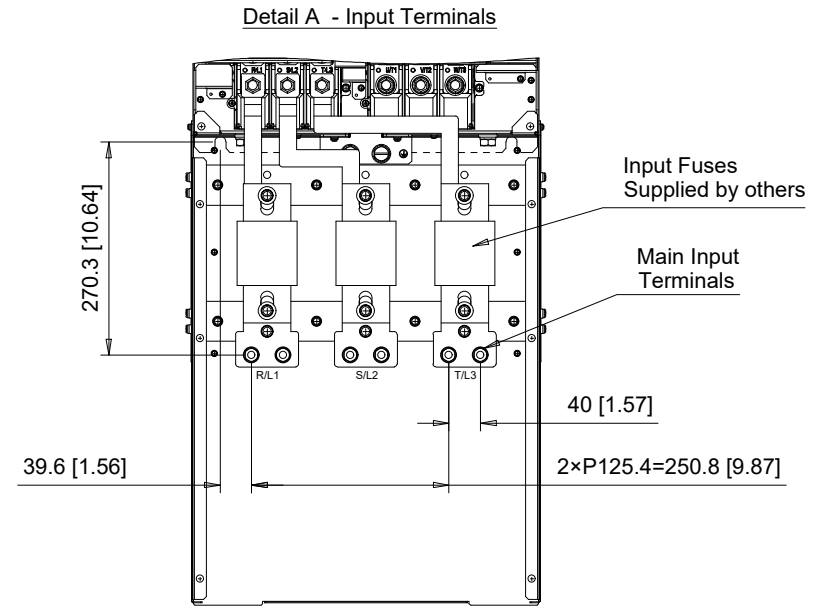
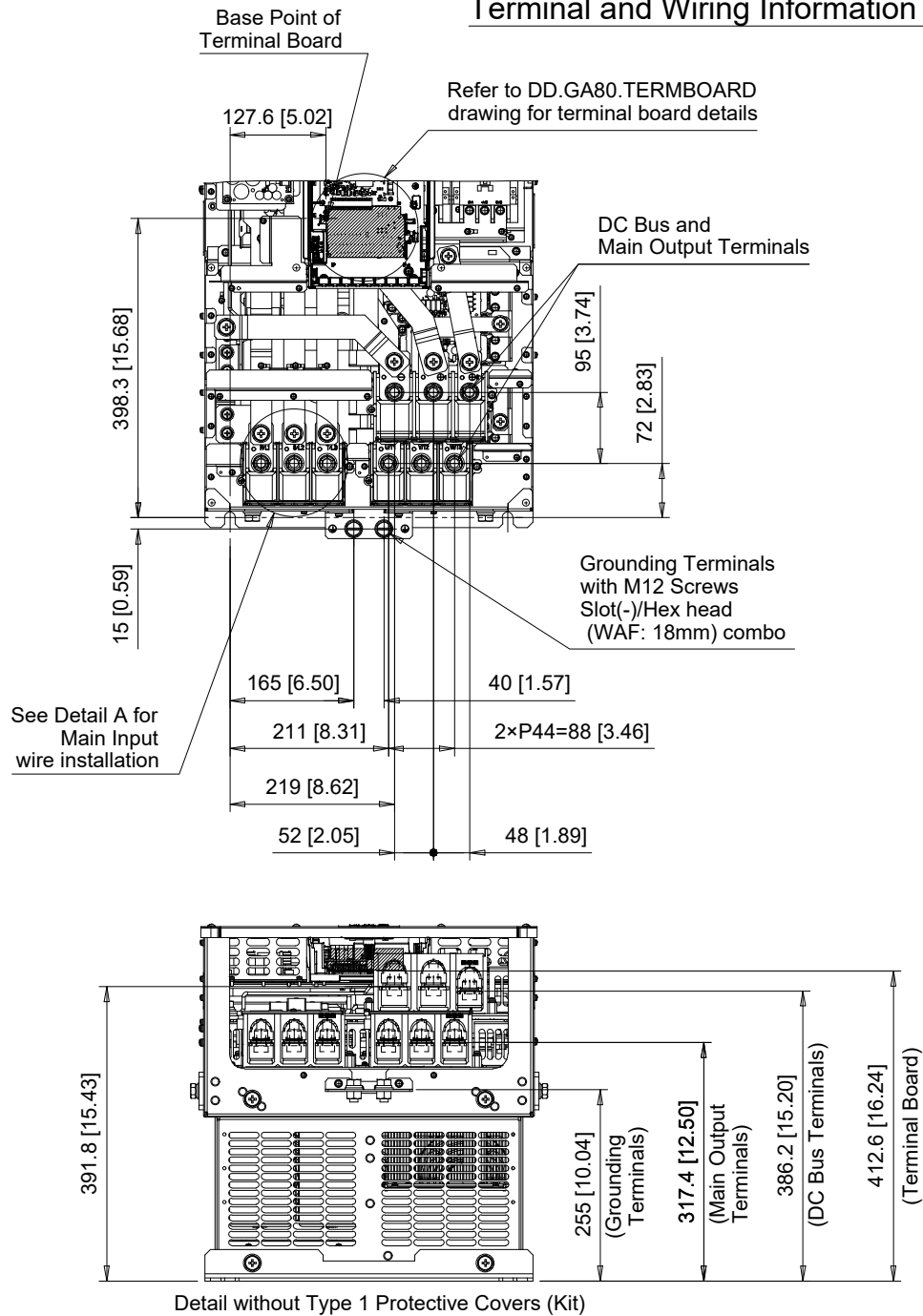
DRWN.	J. MATTAS	12-10-18
CHKD.	J. PIOTROWSKI	12-18-18
TECH.	L. UDDIN	1-8-19
APRV.	J. CAIRO	1-9-19

TITLE	GA800 DIMENSION DRAWING FRAME SIZE 10B NEMA TYPE 1 ENCLOSURE
-------	--------------------------------------------------------------------

SIZE	A	PAGE	2 OF 4
DWG.NO.	DD.GA80.FR10B.N1		

REV	1
-----	---

Terminal and Wiring Information for GA80□4414



C/C:	TERMINAL SYMBOL	WIRE RANGE AWG (mm ²)	TERMINAL SCREW	CLAMPING TORQUE N.m. (lb.in.)
GA80□	R/L1, S/L2, T/L3	2/0 - 300 x 2P (70 - 150 x 2P)	M12	35 (310)
4414□□□	U/T1, V/T2, W/T3	2/0 - 300 x 2P (70 - 150 x 2P)	M12	35 (310)
	-, +1, +3	4/0 - 400 x 2P (120 - 205 x 2P)	M12	35 (310)
	⊕	1 - 350 (120 - 240)	M12	32 - 40 (283 - 354)

□ Denotes A-Z
 Note: Refer to applicable codes and standards for proper wire type and size.

1	ADDED 600V DRIVES
0	INITIAL RELEASE



UNITS MM [IN]
 SCALE 1:10

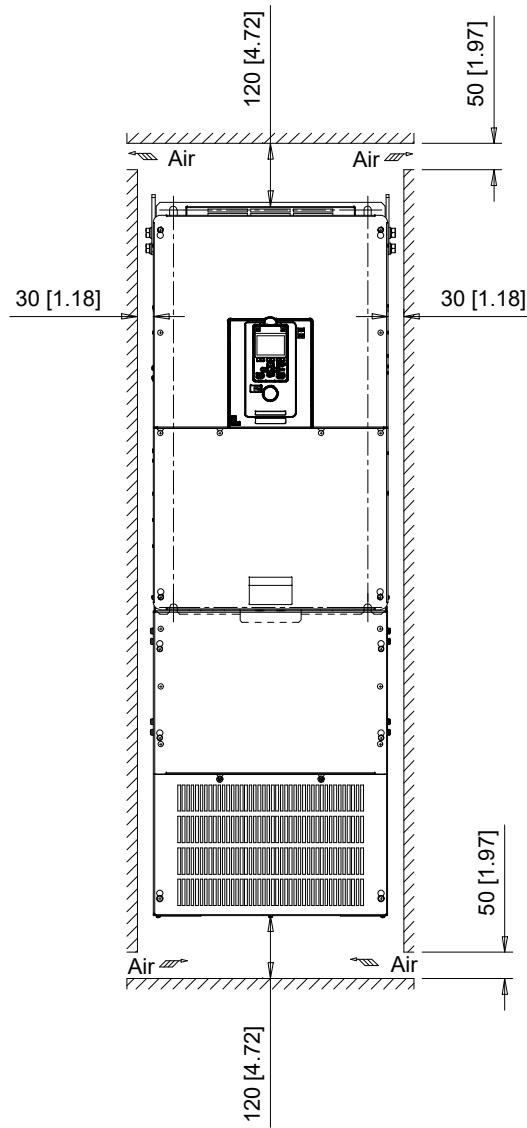
DRWN.	J. MATTAS	12-10-18
CHKD.	J. PIOTROWSKI	12-18-18
TECH.	L. UDDIN	1-8-19
APRV.	J. CAIRO	1-9-19

TITLE
 GA800 DIMENSION DRAWING
 FRAME SIZE 10B
 NEMA TYPE 1 ENCLOSURE

SIZE	A	PAGE	3 OF 4
DWG.NO.	DD.GA80.FR10B.N1		

REV
 1

Minimum Installation Clearances (Scale 1:15)



Note:
For alternate mounting configurations, consult manual.

1	ADDED 600V DRIVES
0	INITIAL RELEASE



	UNITS MM [IN]
	SCALE ABOVE

DRWN.	J. MATTAS	12-10-18
CHKD.	J. PIOTROWSKI	12-18-18
TECH.	L. UDDIN	1-8-19
APRV.	J. CAIRO	1-9-19

TITLE	GA800 DIMENSION DRAWING FRAME SIZE 10B NEMA TYPE 1 ENCLOSURE
-------	--------------------------------------------------------------------

SIZE	A	PAGE	4 OF 4
DWG.NO.	DD.GA80.FR10B.N1		

REV	1
-----	---